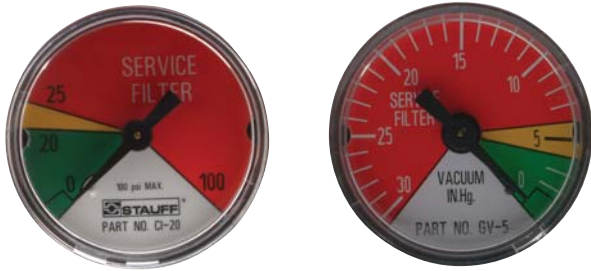
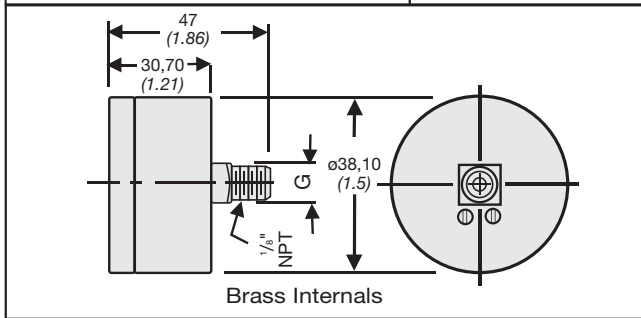


## Visual Indicators

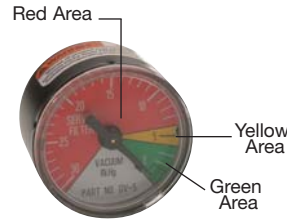


Type	Thread Type G
GV-5B / GV-10B / G-12B / CI-20B	G 1/8
GV-5 / GV-10 / CI-12 / CI-20	1/8 NPTF



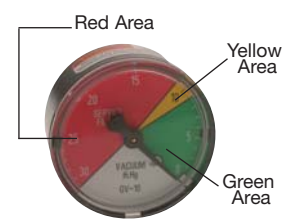
## Vacuum Gauges, Suction Line Applications

### GV-5



For use with 3PSI filter by-pass valve  
0.2 bar (3 PSI)

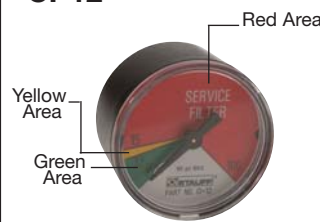
### GV-10



For use with 5PSI filter by-pass valve  
0.35 bar (5 PSI)

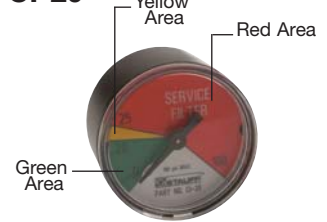
## Pressure Gauges, Return Line Applications

### CI-12



For use with 15PSI filter by-pass valve  
1.0 bar (15 PSI)

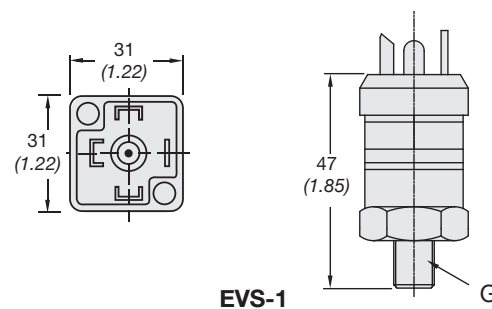
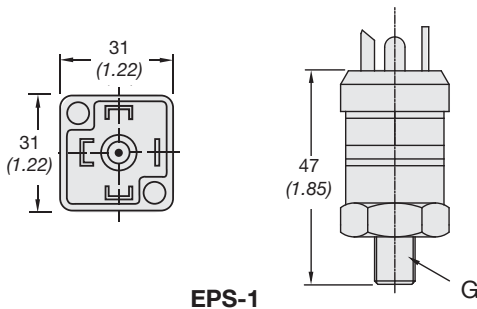
### CI-20



For use with 25PSI filter by-pass valve  
1.7 bar (25 PSI)

## Electrical Indicator

Type	Thread Type
EPS-1B / EVS 1B	G 1/8
EPS-1 / EVS 1	1/8 NPT



Can Be Field Installed

All dimensions in mm (inch)

	EPS-1 (Pressure)	EVS-1 (Vacuum)
Electrical	7Amp 125/250 VAC	7Amp 125/250 VAC
Protection	DIN 43650 IP65	DIN 43650 PIP65
Temperature Range	-40°C to +80°C (-40°F to 180°F) Ambient & Medium	-40°C to +80°C (-40°F to +180°F) Ambient & Medium
Diaphragm Material	Epichlorohydrin Standard	Epichlorohydrin Standard
Housing Material	Zinc Plated Steel Standard	Aluminum AL2024
MAXIMUM OVER Pressure	25 Bar (350 PSI) 6:1 Safety Factor	25 Bar (350 PSI)
ADJUSTMENT RANGES	0.35/2.5 Bar (5/35 PSI)	150/1000 mBar (5/30 in Hg)
Dead Band	20%	25%
Maximum Pressure	25 Bar (350 PSI)	25 Bar (350 PSI)
Wetted Area Material	Elastomer & Zinc Plated Steel Brass	Elastomer & Anodized Aluminum 316SS Optional
Weight	Steel Housing 0.11 Kg (0.23 lb)	0.25 Kg (0.50 lbs.)
Repeatability	±2% at 20°C (70°F) Ambient Temperature	±2% at 20°C (70°F) Ambient Temperature
Hirschmann Connector With Strain Relief		