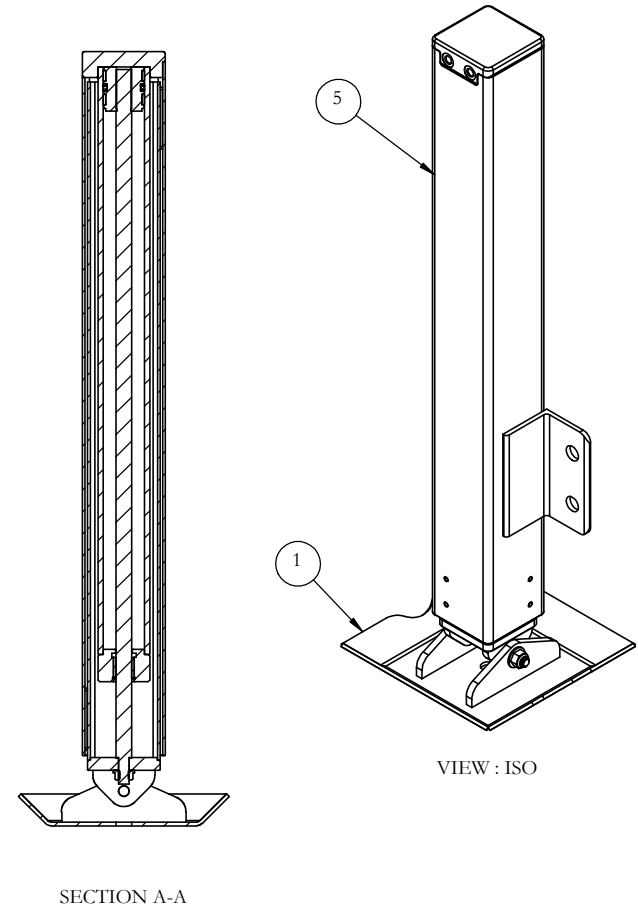
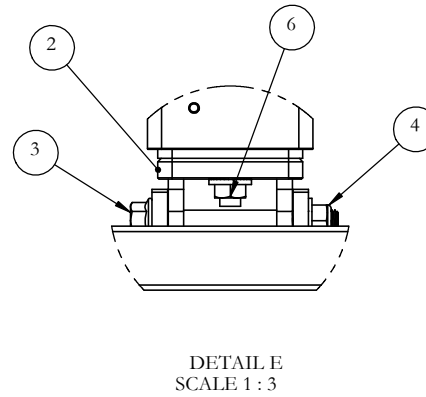
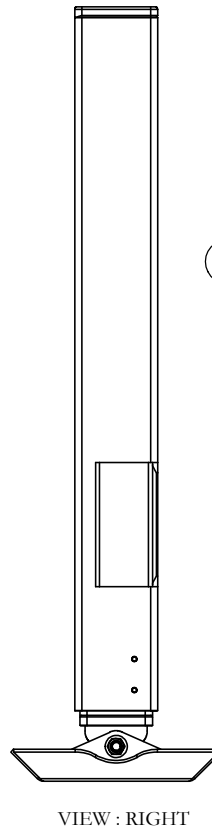
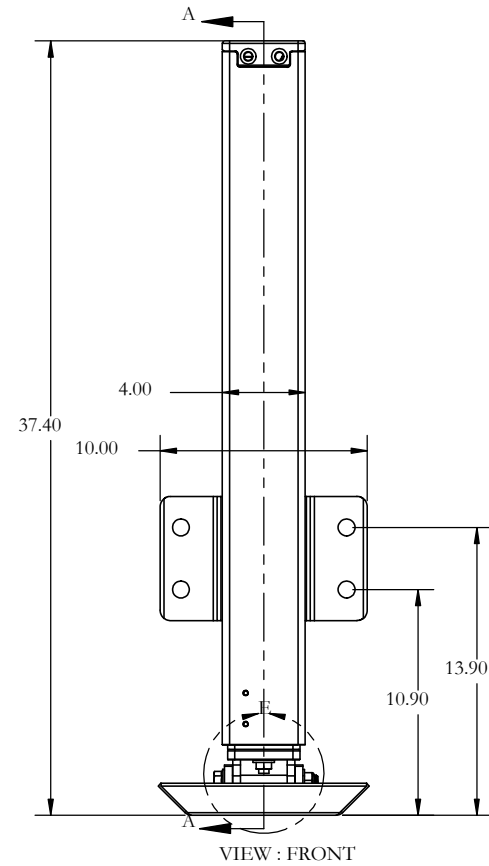
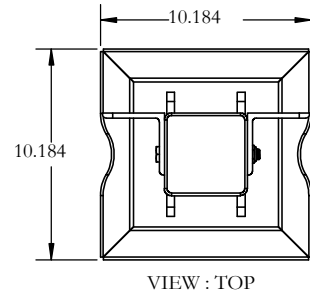


ITEM NO.	PART NUMBER	DESCRIPTION	QTY.
1	SJ-A004	FOOT ASSEMBLY	1
2	SJ-A002	INNER TUBE ASSY.	1
3	92316A731	1/2-13 FLANGE HEAD SCREW 4 1/2" LONG	2
4	93298A150	1/2-13 FLANGE LOCK NUT	3
5	SJ-A003	OUTER TUBE ASSY.	1
6	94831A671	1/2-20 SERRATED FLANGE NUT	1
7	92316A726		1



CONFIDENTIAL The information contained in this document is strictly proprietary to Stillwell Jacks Inc. and may not be disclosed to nonemployees of the company without the express written consent of Stillwell Jacks Inc. Unauthorized use, reproduction, disclosure, or retention of any information contained herein is expressly prohibited. All patent, copyright, proprietary and manufacturing rights are reserved.

TOLERANCES (EXCEPT AS NOTED)
 .X = ±.01
 .XX = ±.005
 .XXX = ±.0025
 ANGULAR ±.2°

ALL DIMENSIONS IN INCHES
 UNLESS OTHERWISE SPECIFIED

SIZE B THIRD ANGLE PROJECTION

USED IN ASSY:

-



Stillwell Jacks Inc.
 10824 Nesbitt Ave S.
 Bloomington MN, 55437

PART NO: SJ-A001
 DESCRIPTION: 26" JACK ASSY.
 MACH NAME: SJX-Adas
 MATERIAL: AS SHOWN
 FINISH: NA

SHT: 1 OF: 1
 SCALE: 1:6
 DATE: 8/18/2015
 DRAWN BY: WES
 REV: -