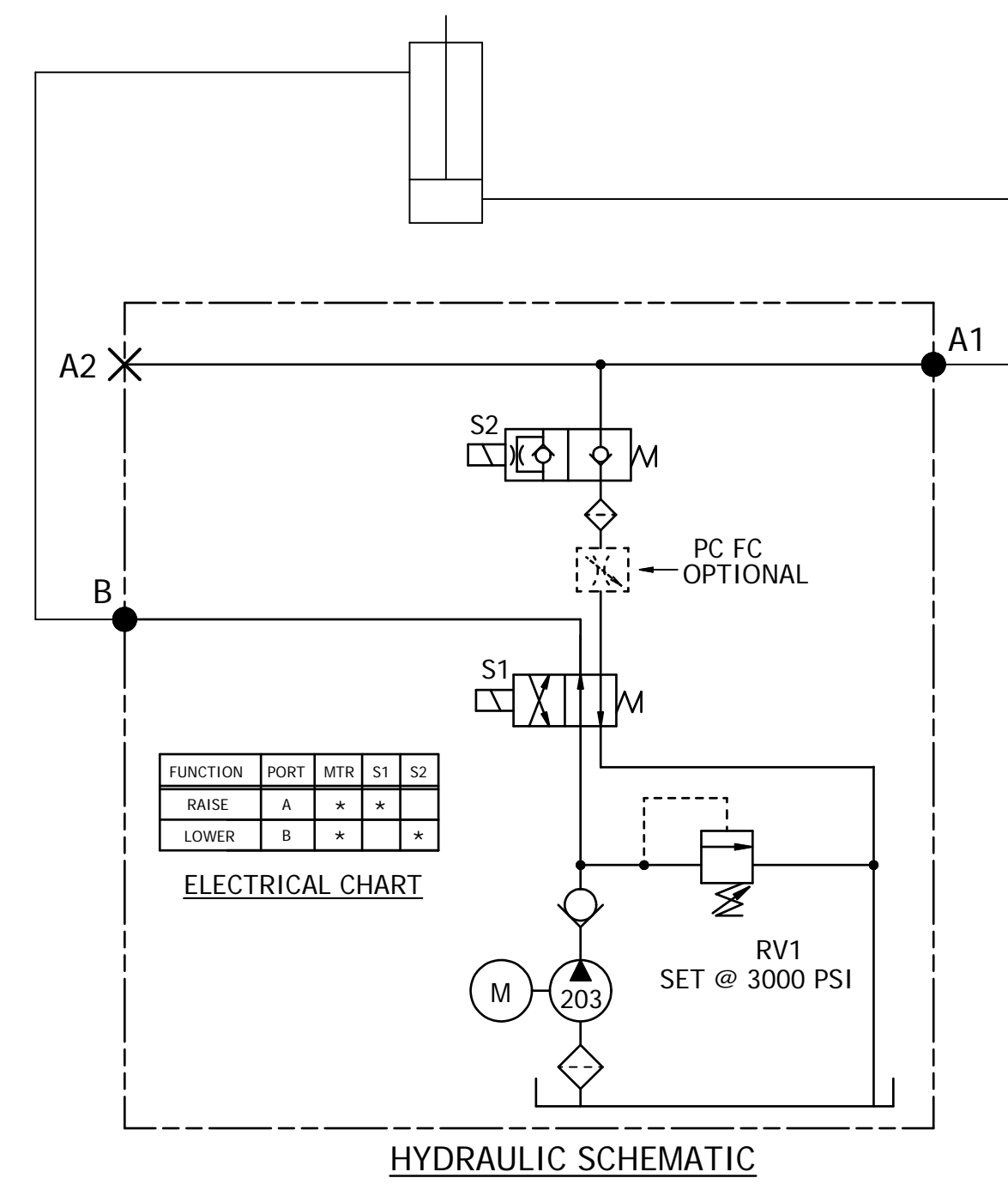
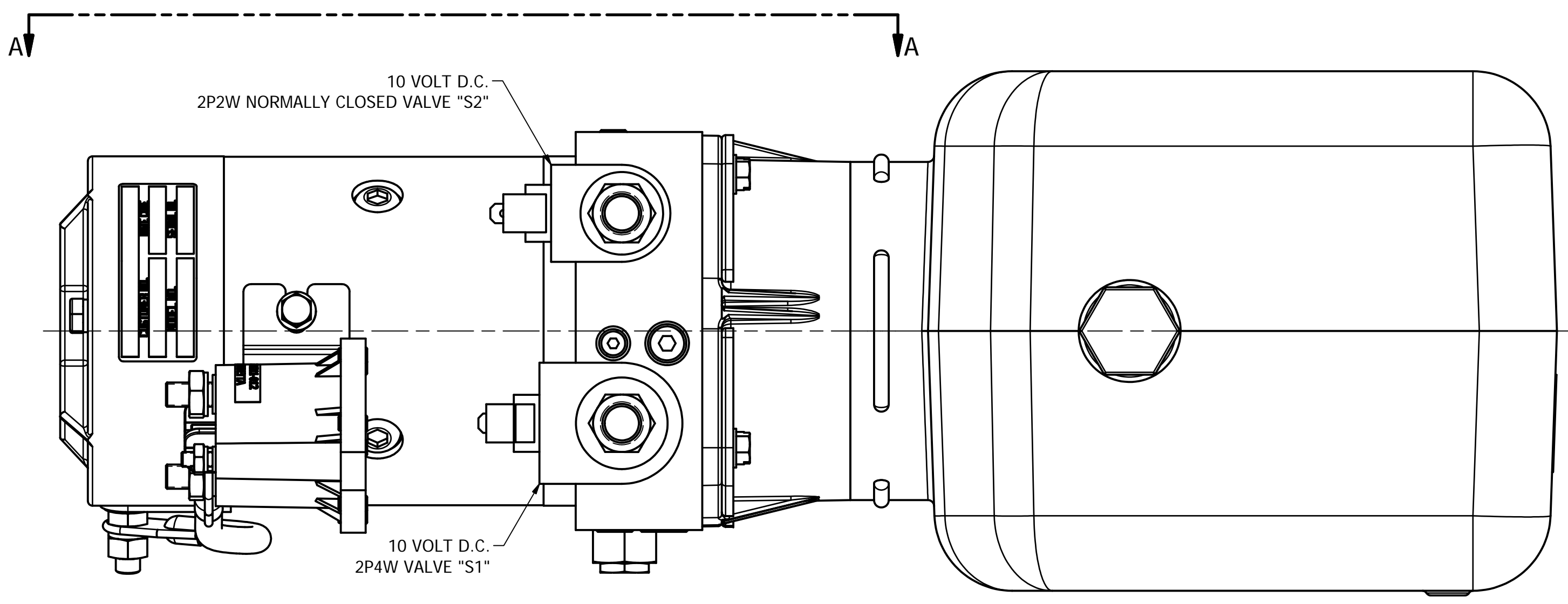
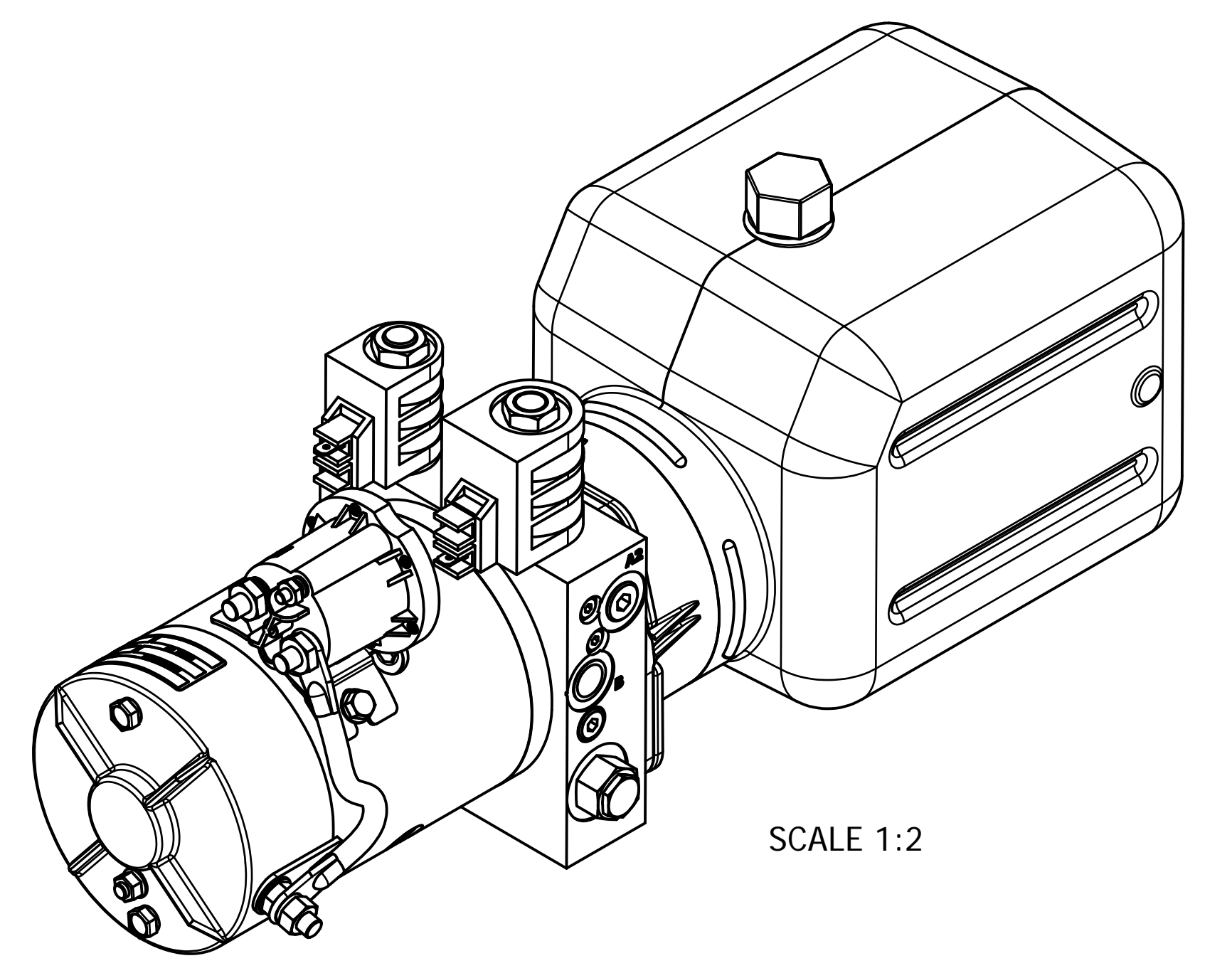


THEORETICAL DISPLACEMENT: .151 CU.IN./REV. (.000652 GAL/REV.)

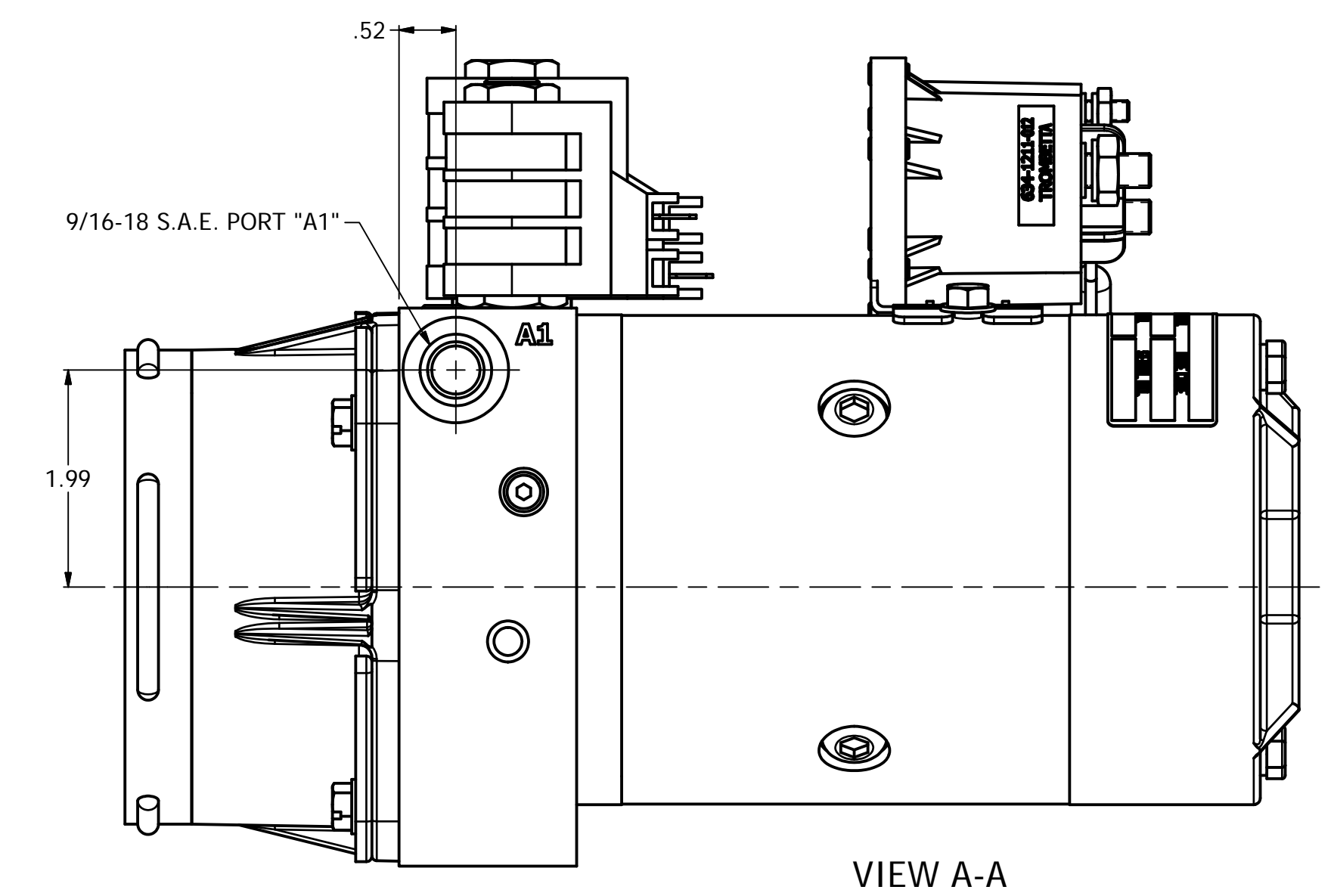
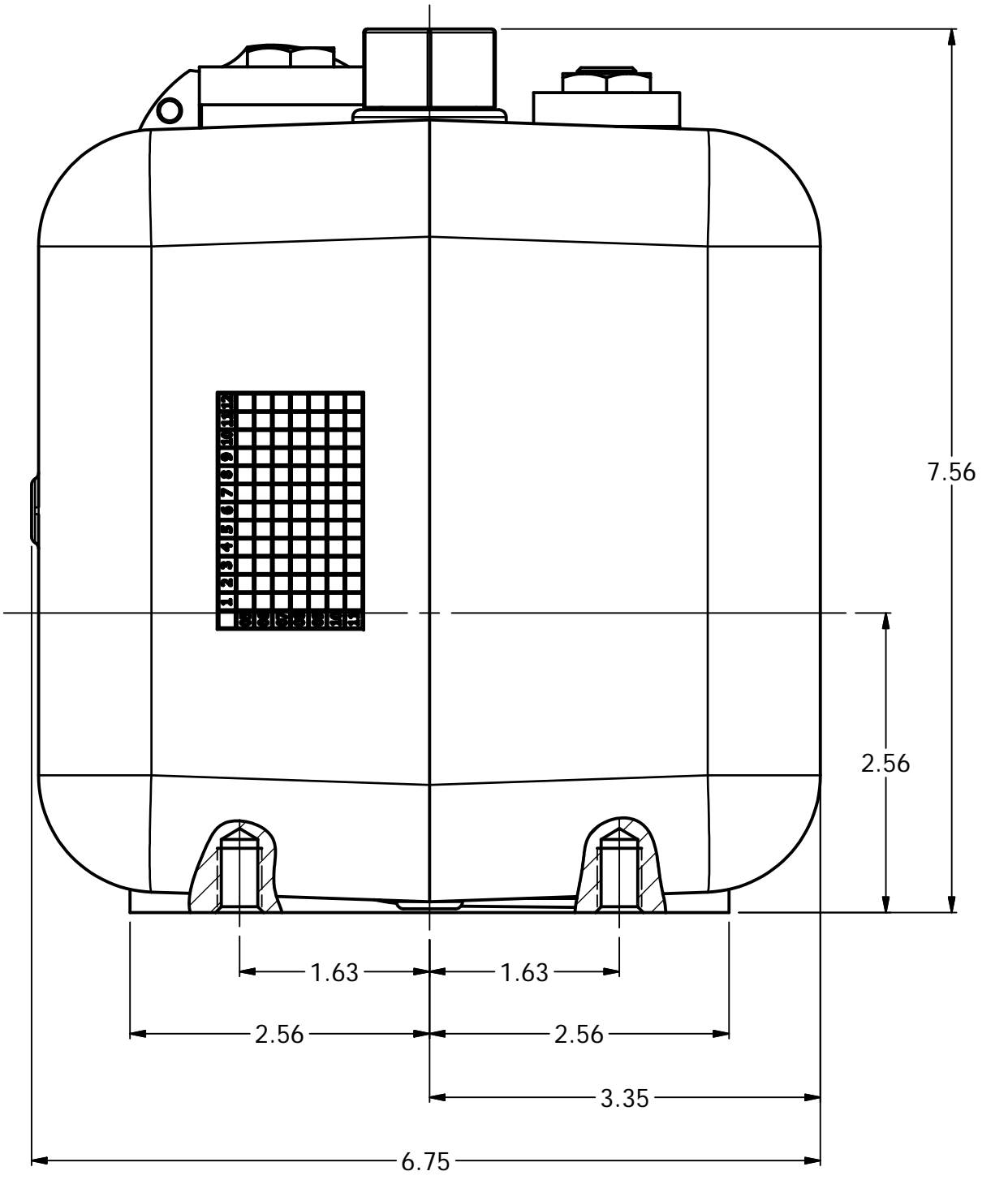
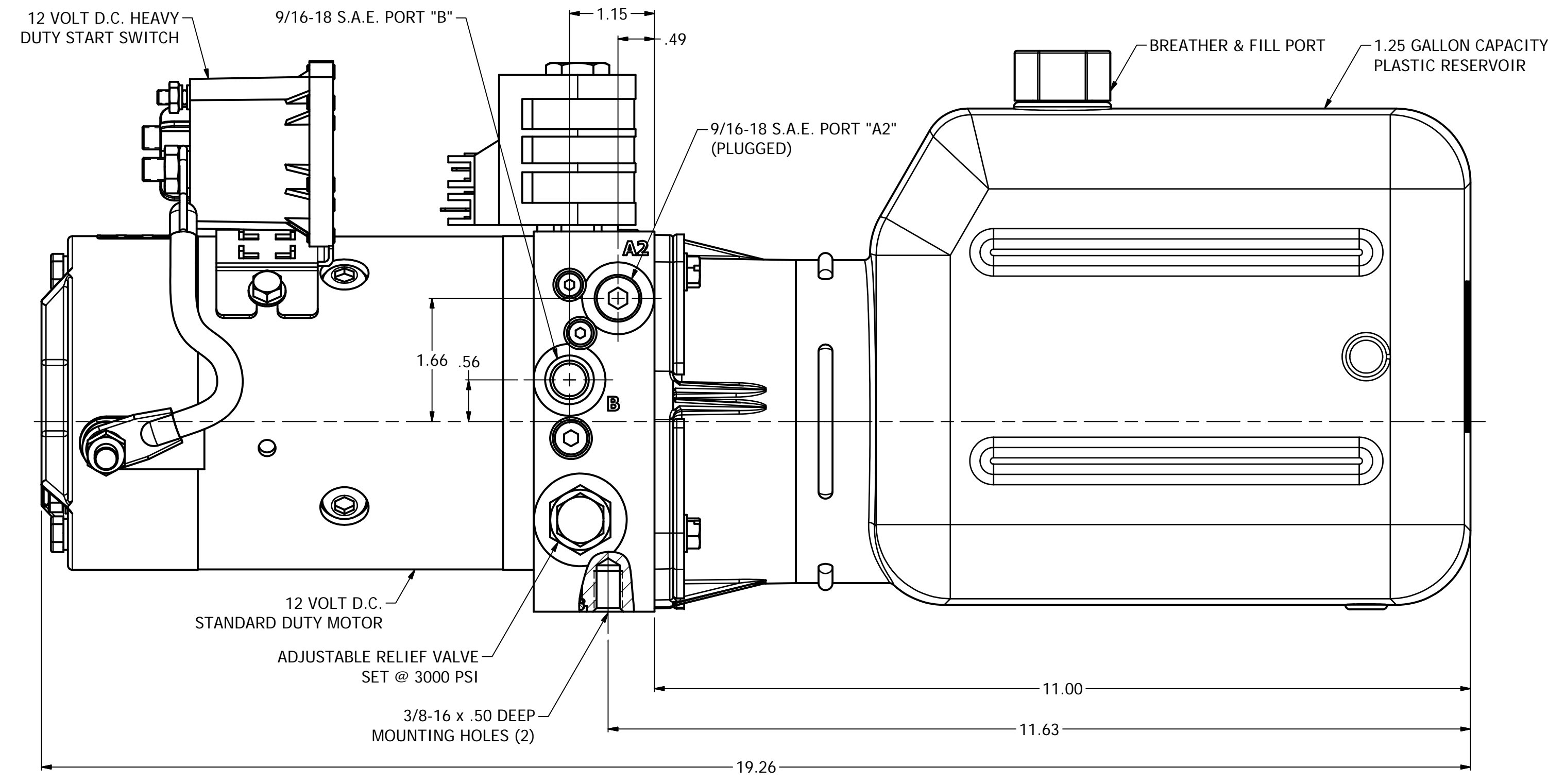
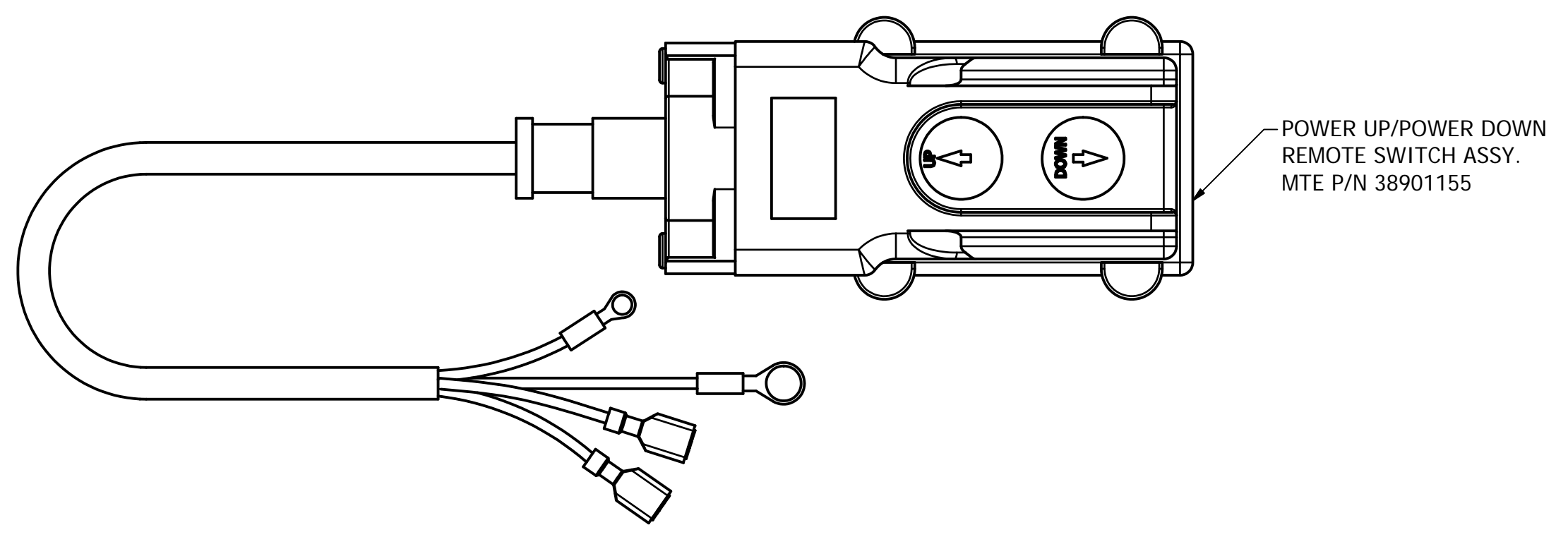


FUNCTION	PORT	MTR	S1	S2
RAISE	A	*	*	*
LOWER	B	*	*	*

HYDRAULIC SCHEMATIC



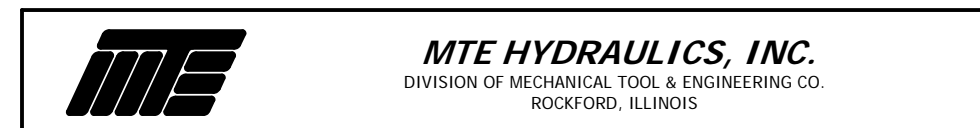
SCALE 1:2



PROPOSAL DRAWING
 THIS DRAWING IS FOR PROPOSAL PURPOSES ONLY AND IS NOT SUBJECT TO MTE HYDRAULICS, INC DOCUMENT CONTROL PROCEDURES

SIGNATURE	DATE	PART NAME
DRAFT PAUL	5/12/2016	12 VDC POWER UNIT, 203, NORTHERN HYDRAULICS, INC.
ENGR.		MATERIAL
RELEASE		HEAT TREAT/FINISH
SUPERCEDES		SIMILAR TO
SUPERCEDED BY		DRAWING NUMBER
SPEC NO.	17368	81003997
		SHEET 1 OF 1
		REVISION

NOTICE - THIS PRINT CONTAINS PROPRIETARY INFORMATION AND IT IS FURNISHED SUBJECT TO THE EXPRESS CONDITION THAT IT WILL NOT BE USED IN ANY WAY DETRIMENTAL TO MTE HYDRAULICS INC.



MTE HYDRAULICS, INC.
 DIVISION OF MECHANICAL TOOL & ENGINEERING CO.
 ROCKFORD, ILLINOIS