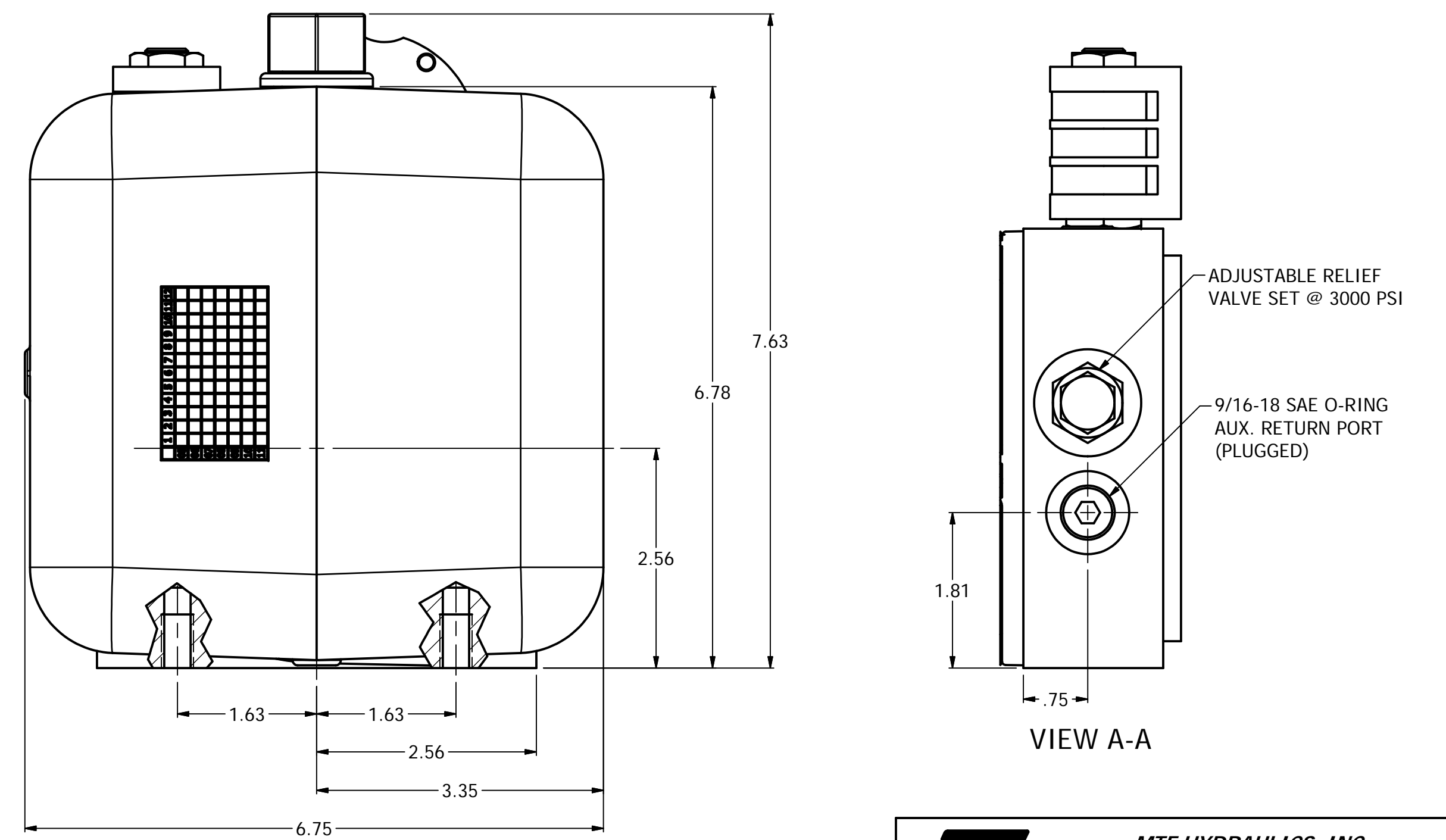
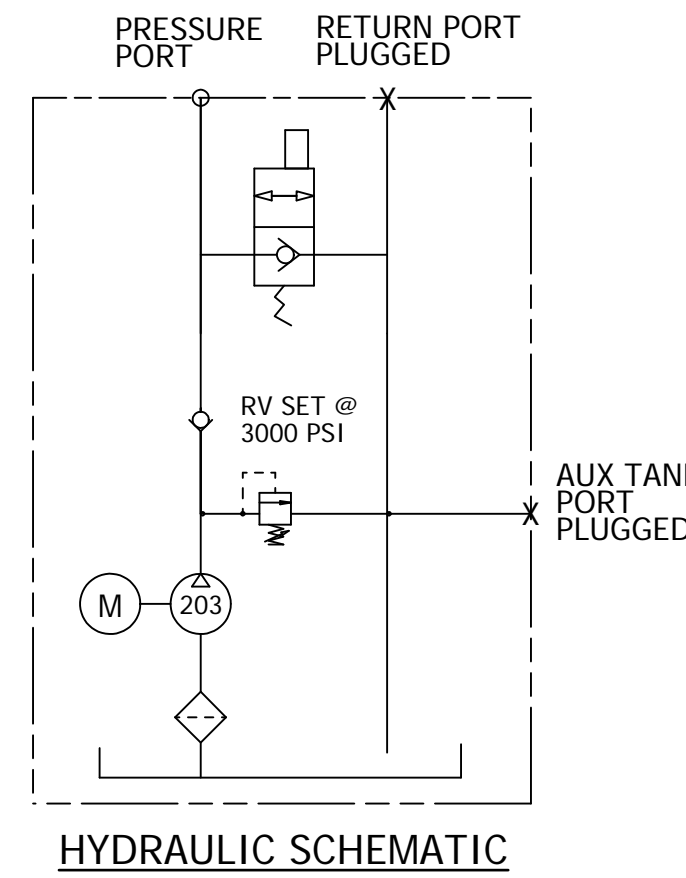
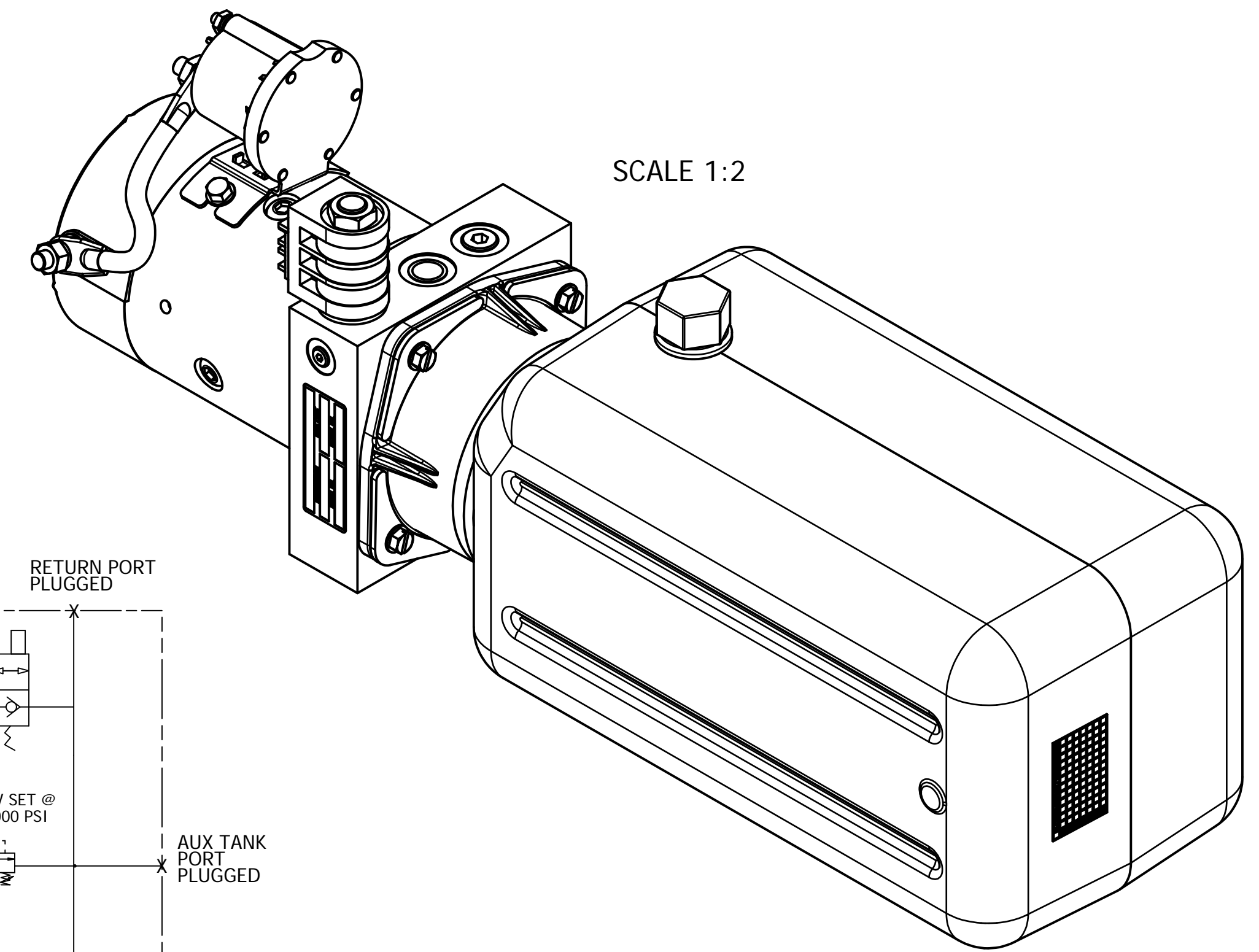
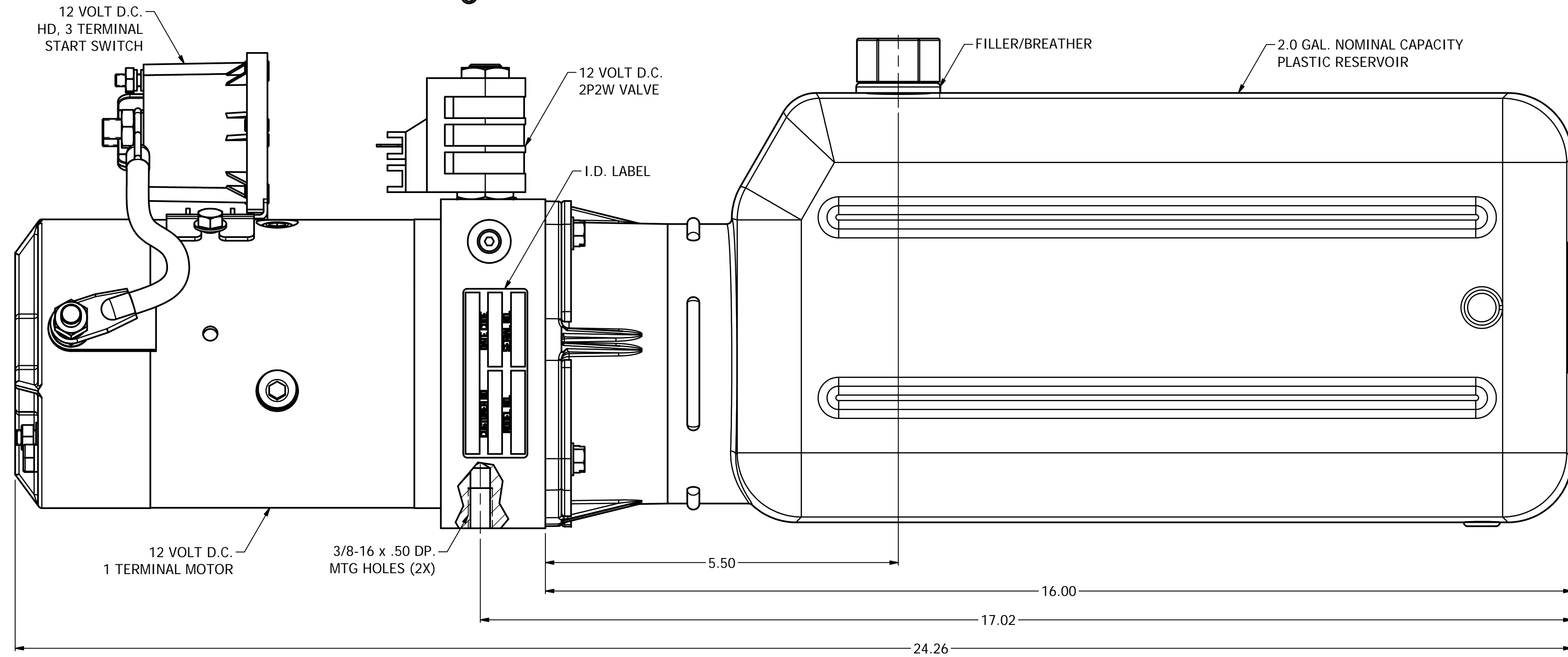
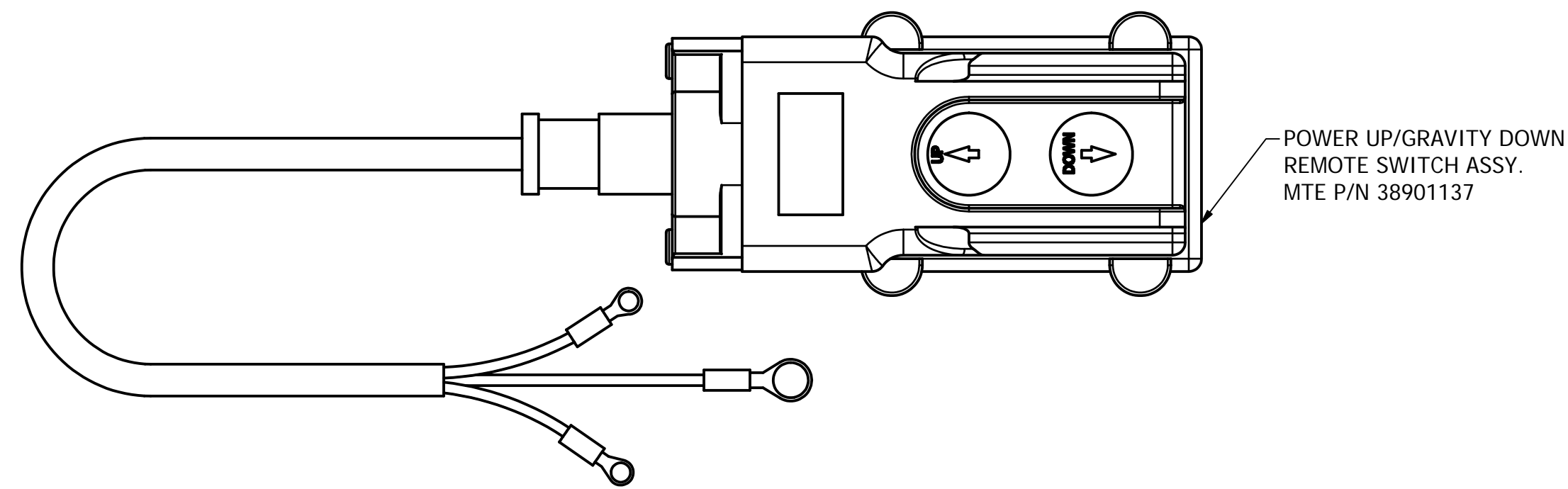
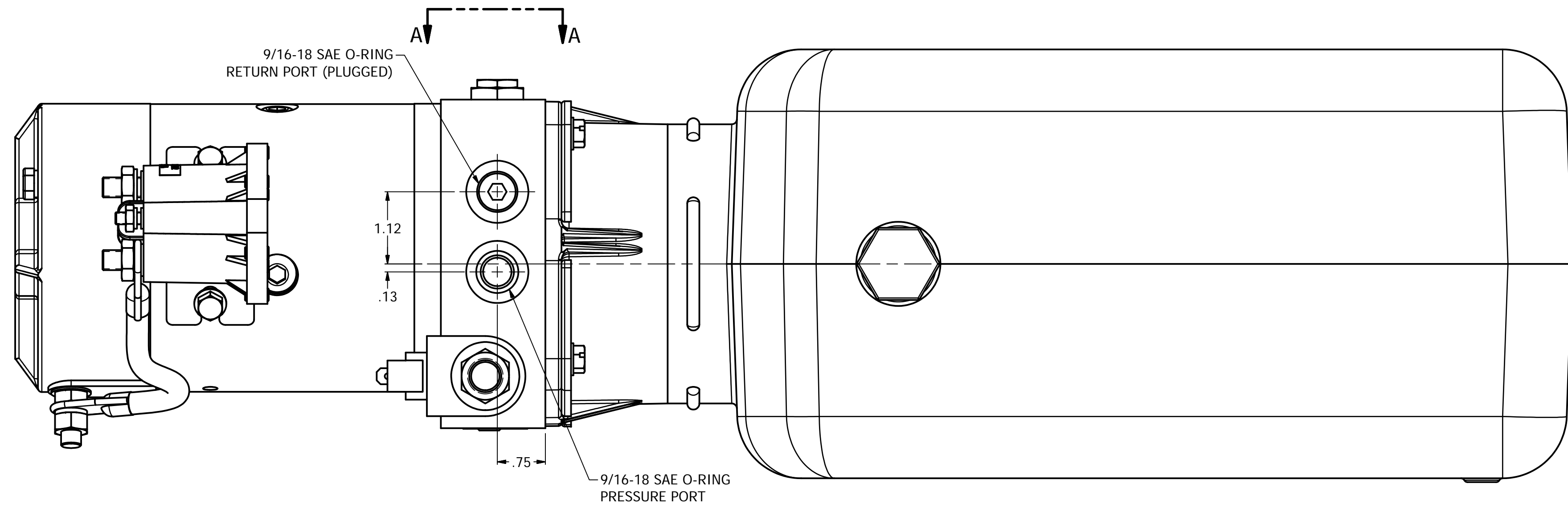


NOTES:
 1. THEO. DISPLACEMENT: .151 CU.IN./REV. (.000652 GAL./REV.)



PROPOSAL DRAWING
 THIS DRAWING IS FOR PROPOSAL PURPOSES ONLY AND IS NOT SUBJECT TO MTE HYDRAULICS, INC DOCUMENT CONTROL PROCEDURES

SIGNATURE	DATE	PART NAME
DRAFT PAUL	5/11/2016	12 VDC POWER UNIT, 203, NORTHERN HYDRAULICS, INC.
ENGR.		MATERIAL
RELEASE		HEAT TREAT/FINISH
SUPERCEDES		SIMILAR TO
SUPERCEDED BY		DRAWING NUMBER
SPEC NO.	17367	81003996
		SHEET 1 OF 1
		REVISION

NOTICE - THIS PRINT CONTAINS PROPRIETARY INFORMATION AND IT IS FURNISHED SUBJECT TO THE EXPRESS CONDITION THAT IT WILL NOT BE USED IN ANY WAY DETRIMENTAL TO MTE HYDRAULICS INC.

